

Disclaimer

Unboxing

Before You Start

Adding an Expansion Battery

Step 1. Disassemble the System

Step 2. Mount the Expansion Battery

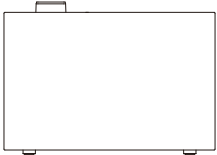



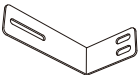
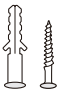
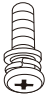
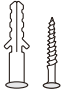

Step 3. Reassemble the System

Specifications

Disclaimer

Please read and understand all safety instructions, installation guide, and other accompanied documents before installing or using the product. Failure to follow the instructions may result in electric shock, equipment damage, or personal injury. Please follow the instructions and install this equipment with caution for your safety and the normal operation of the equipment. The manufacturer is not liable for damage, injury, or loss resulting from incorrect installation, unauthorised modification, misuse, operation in unsuitable environments, or failure to observe safety precautions.

Unboxing

Interlocking Kit				
 <p>Anker SOLIX BP5000 Expansion Battery</p>	 <p>Documents</p>	 <p>Fixed Bracket ×2</p>	 <p>Screw (M5 10 mm) ×2</p>	
Wall Mount Kit		Spare Parts		
 <p>Wall Mount Fitting for Expansion Battery×2</p>	 <p>Expansion Screw (M6 50 mm) ×2</p>	 <p>Screw (M5 10 mm) ×2</p>	 <p>Expansion Screw (M6 50 mm) ×2</p>	 <p>Screw (M5 10 mm) ×2</p>

Before You Start

Anker SOLIX BP5000 Expansion Battery Pro is compatible with Anker SOLIX Solarbank 4 E5000 Pro, Solarbank 3 E2700 Pro and Solarbank 2 E1600 Pro. For wall-mounting configurations by different models and quantities, refer to the table and illustrations below.

Main Unit	Models of Expansion Batteries	Wall Mount Fittings for Expansion Battery	Wall Mount Fittings for Solarbank
	Only BP5000	Attach wall mount fittings ¹ to every expansion battery.	
Solarbank 4 E5000 Pro	BP5000 + BP2700 or BP1600	1. Attach wall mount fittings ¹ to every BP5000 Expansion Battery. 2. Attach wall mount fittings ² to the first expansion battery under BP5000 Expansion Battery.	Included in the Solarbank Package
Solarbank 3 E2700 Pro or Solarbank 2 E1600 Pro	Only BP5000 BP5000 + BP2700 or BP1600	Attach the wall mount fittings ¹ to every BP5000 Expansion Battery. No extra wall mount fittings needed for the other units.	/

¹ Fittings included with BP5000 Expansion Battery

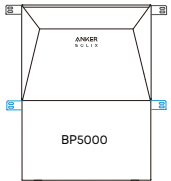
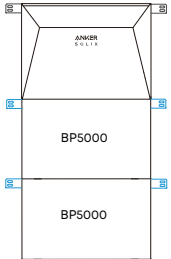
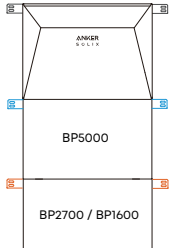
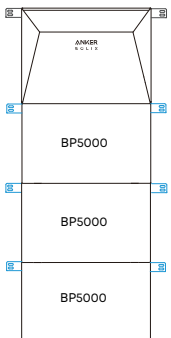
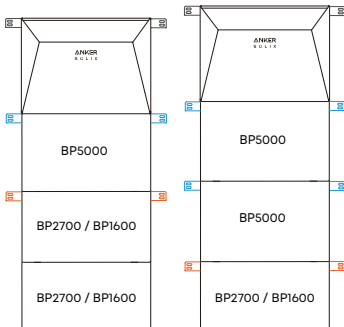
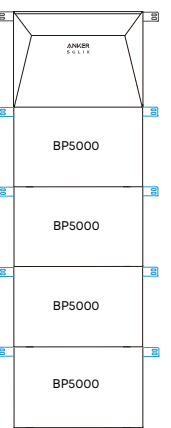
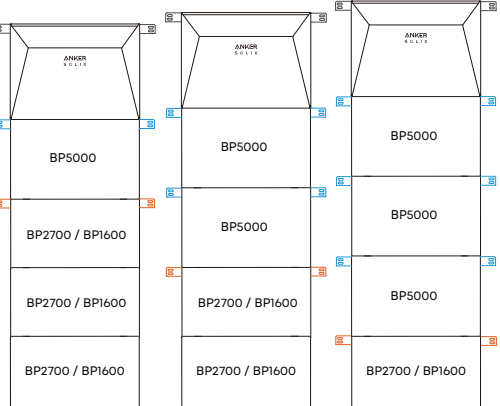
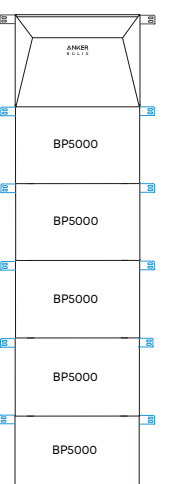
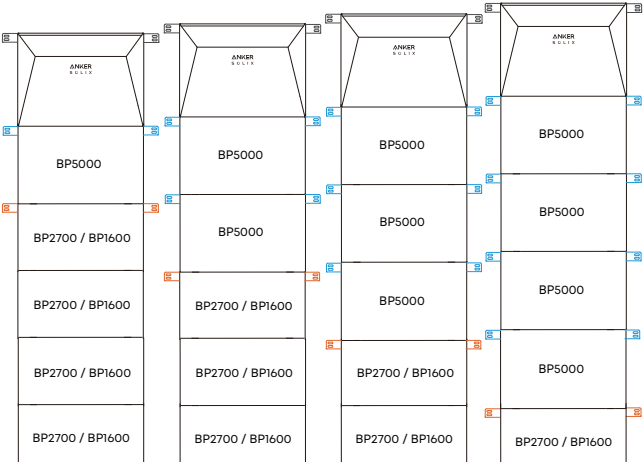
² Fittings included with Solarbank 4 E5000 Pro



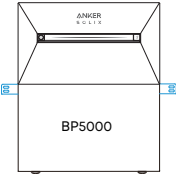
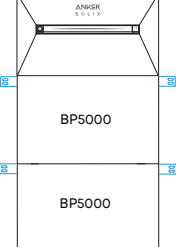
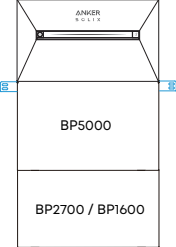
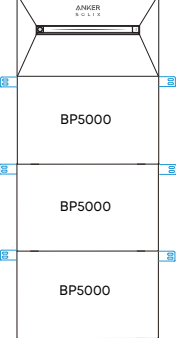
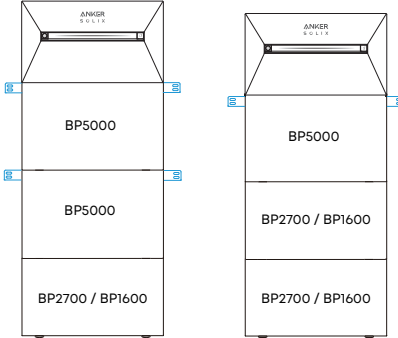
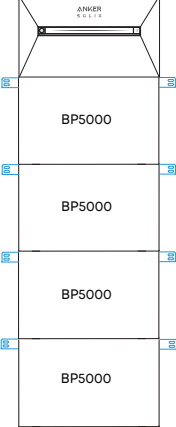
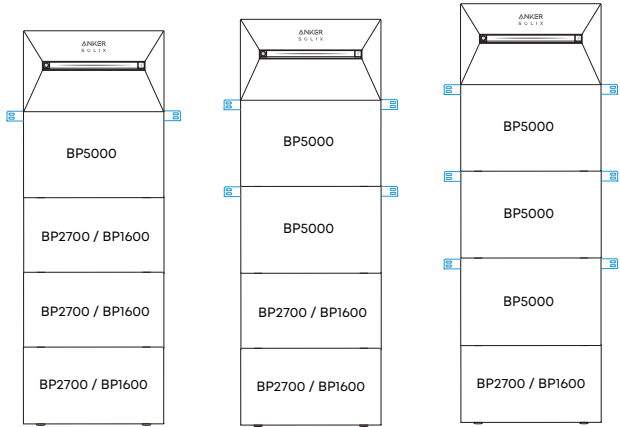
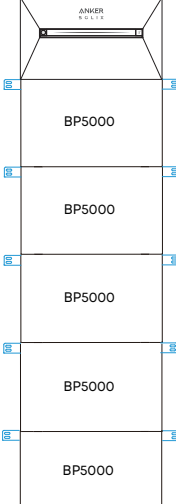
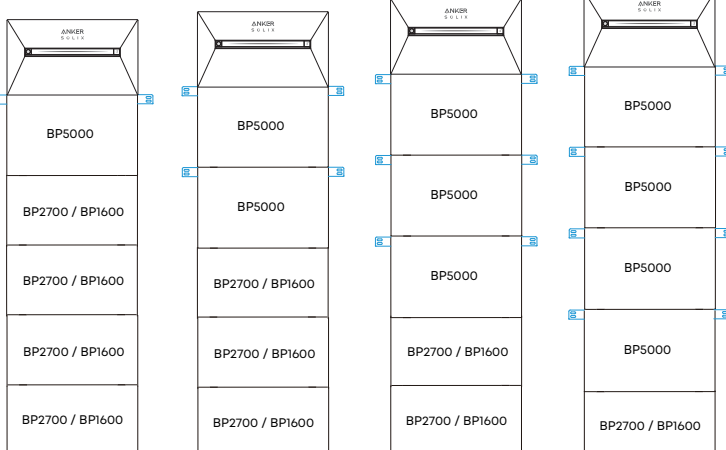
Fittings in **Blue**: included with BP5000 Expansion Battery

Fittings in **Orange**: included with Solarbank 4 E5000 Pro

Main Unit: Solarbank 4 E5000 Pro

No. Of Expansion Batteries	Only BP5000	BP5000+ BP2700 orBP1600
1		
2		
3		
4		
5		

Main Unit: Solarbank 3 E2700 Pro / Solarbank 2 E1600 Pro

No. Of Expansion Batteries	Only BP5000	BP5000+ BP2700 orBP1600
1		
2		
3		
4		
5		

Adding an Expansion Battery



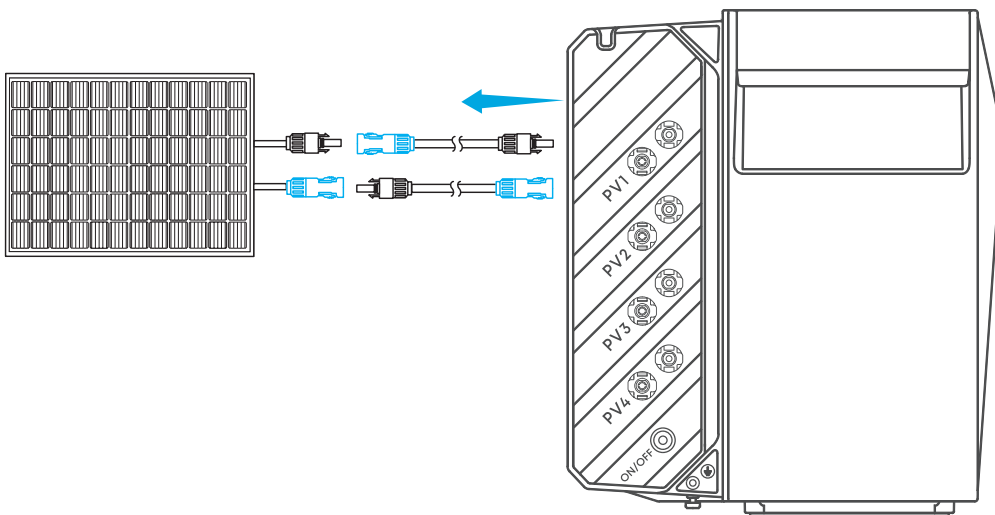
Precautions

To protect yourself and the equipment, ensure the system is powered off before installing or adding expansion batteries. Installation while the system is powered on is not covered under warranty.

Follow the steps below to add an expansion battery to the system. The example system includes one Solarbank (Anker SOLIX Solarbank 4 E5000 Pro) and two expansion batteries (Anker SOLIX BP5000 Expansion Battery).

Step 1. Disassemble the System

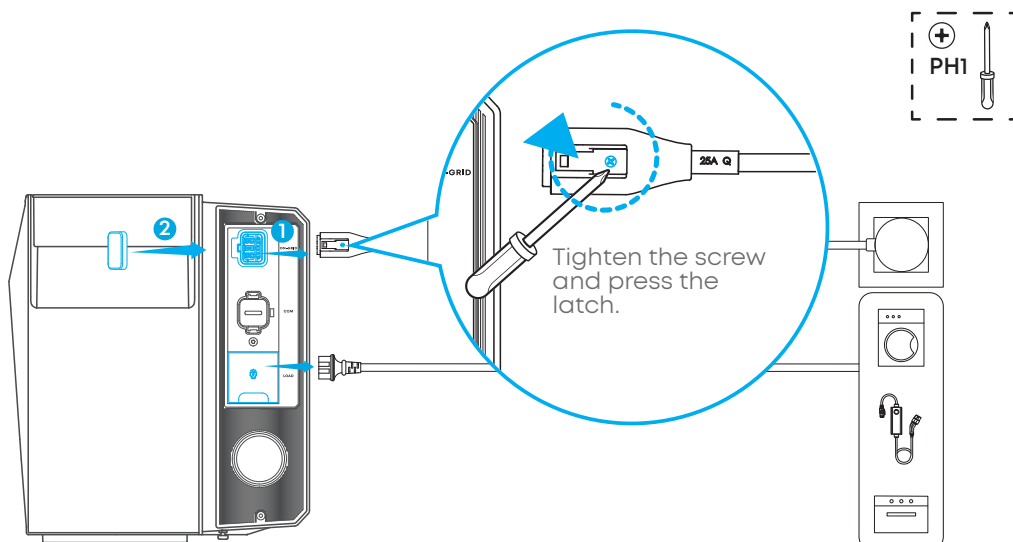
1. Disconnect Solarbank and PV



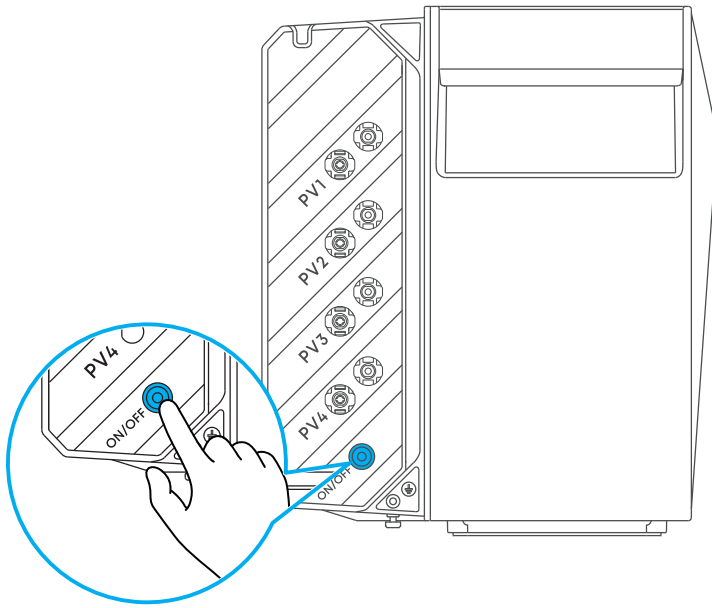
2. Unplug Solarbank from the home outlet and any connected device.



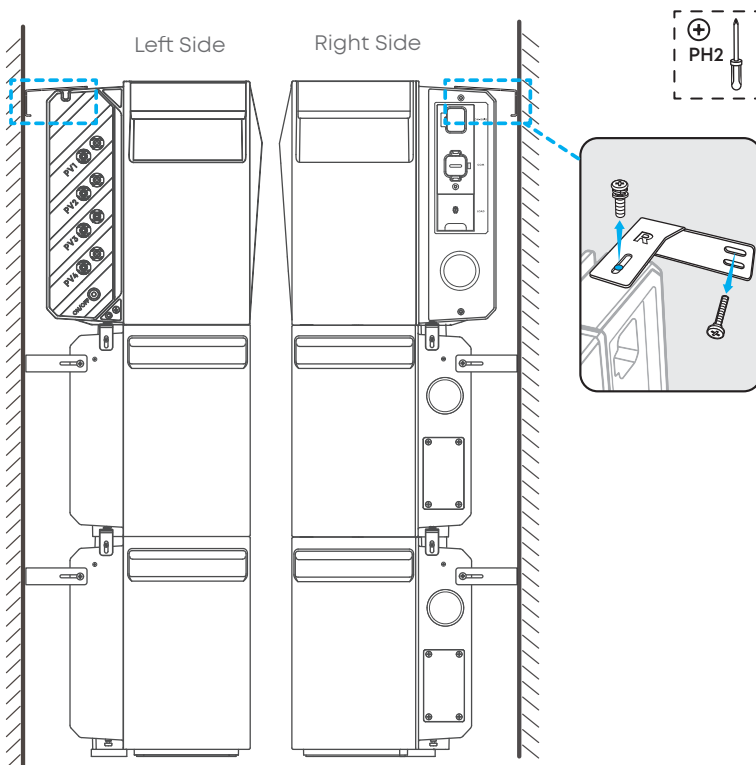
Attach the protective cover to the On-Grid port when the solarbank is disconnected.



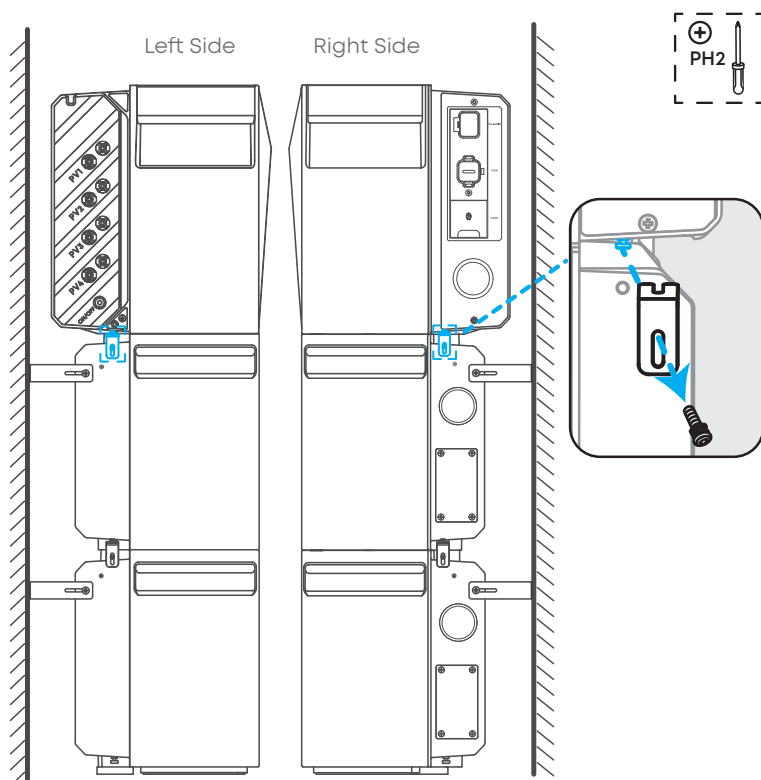
3. Ensure Solarbank is off. To turn it off, press the power button for 3 seconds.



4. If applicable, remove the wall mount fittings from both sides of Solarbank.



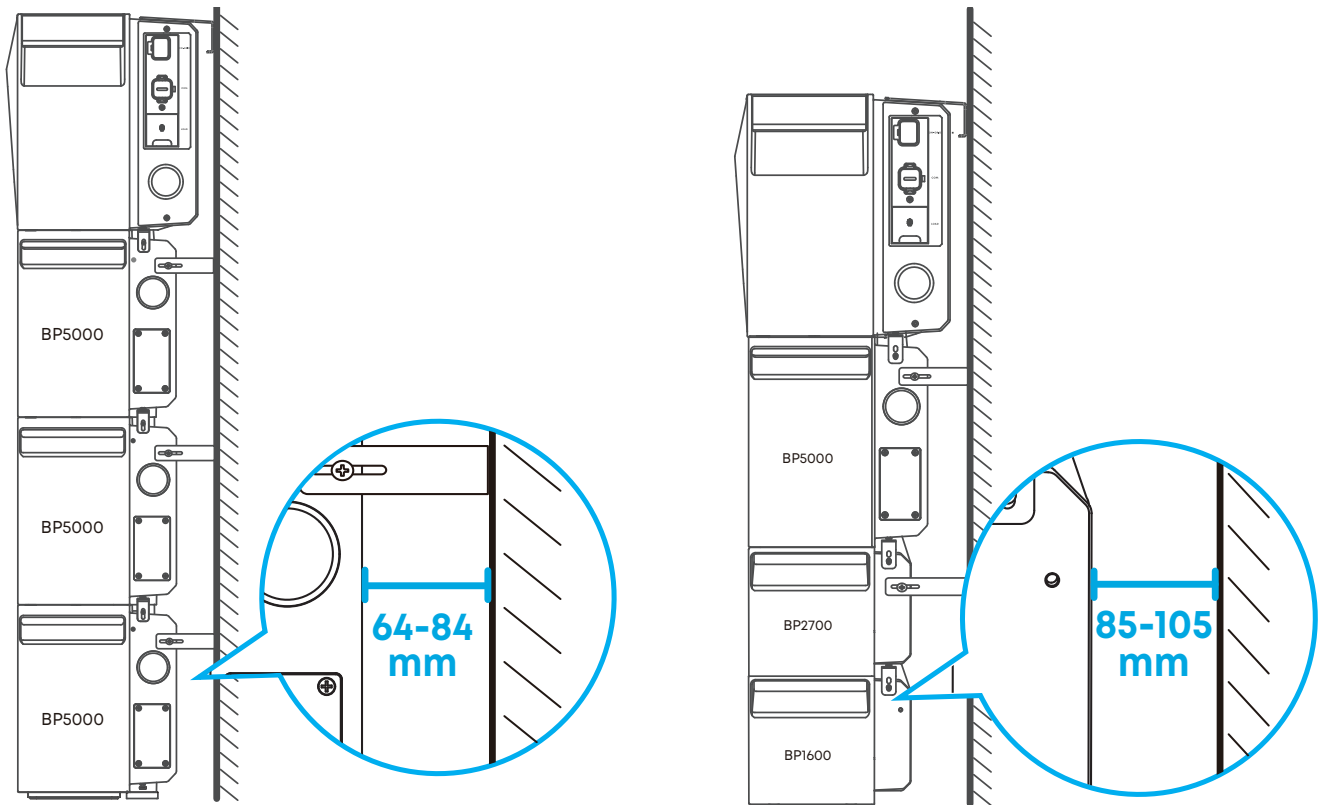
5. If applicable, remove the fixed brackets from both sides of the expansion battery.



Check the Wall Distance

Adding a BP5000 Expansion Battery to your existing system may change the required distance between the bottom unit and the wall. If adjustment is needed, remove the remaining expansion batteries and adjust the bottom unit to the correct distance.

Configuration of Expansion Batteries	Bottom Unit	Required Distance
Only BP5000	BP5000	64–84 mm
BP5000 + BP2700 or BP1600	BP2700 or BP1600	85–105 mm



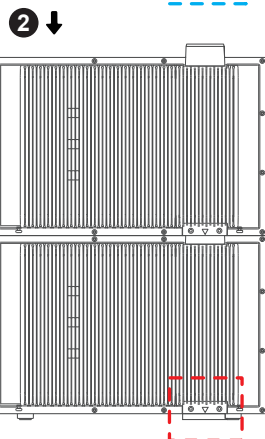
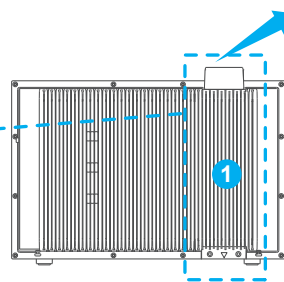
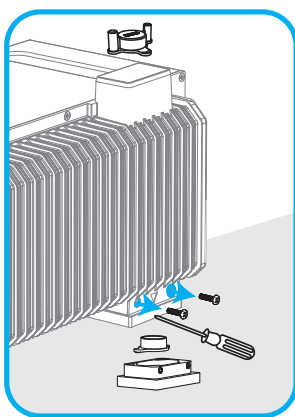
Step 2. Mount the Expansion Battery

1. Unfasten the screws (if applicable) and pry open the rubber plugs.
2. Stack the new expansion battery on the top.

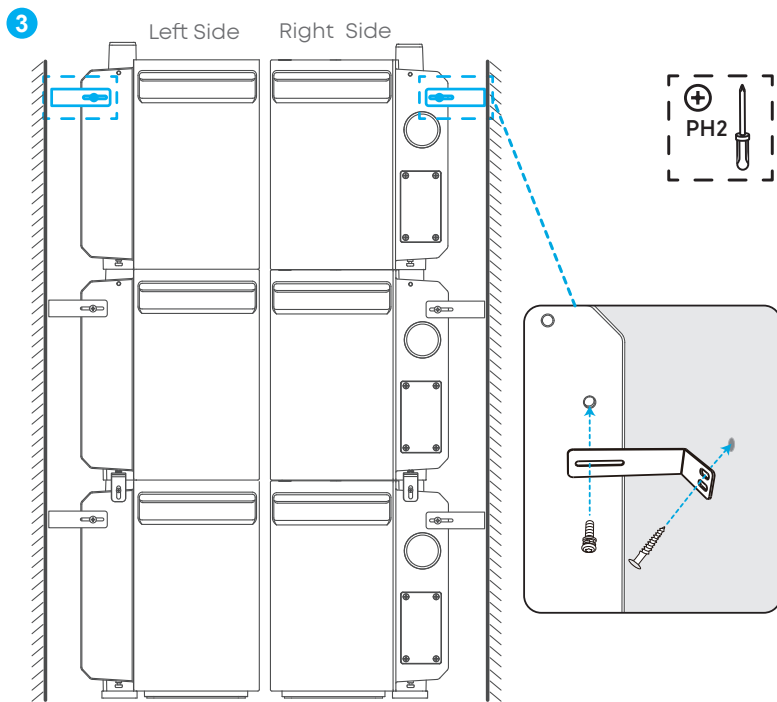


It's recommended to stack Anker SOLIX BP5000 Expansion Battery on top of all other expansion battery models for optimal charging performance.

2. Attach the wall mount fittings to both sides of the added expansion battery.

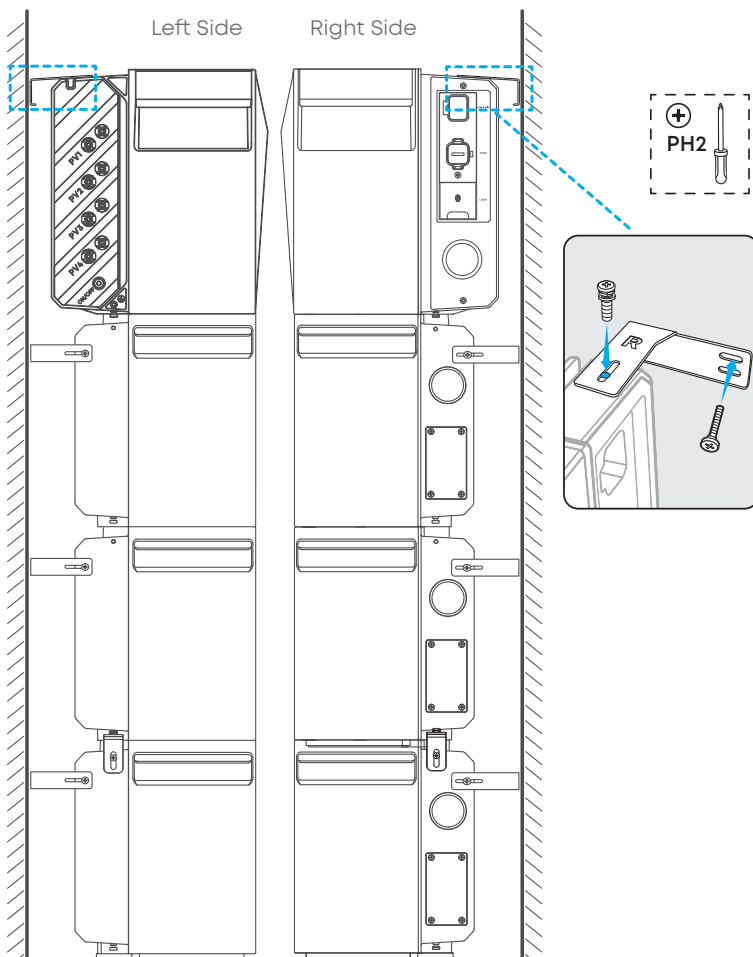


3. Attach the wall mount fittings to both sides of the added expansion battery.

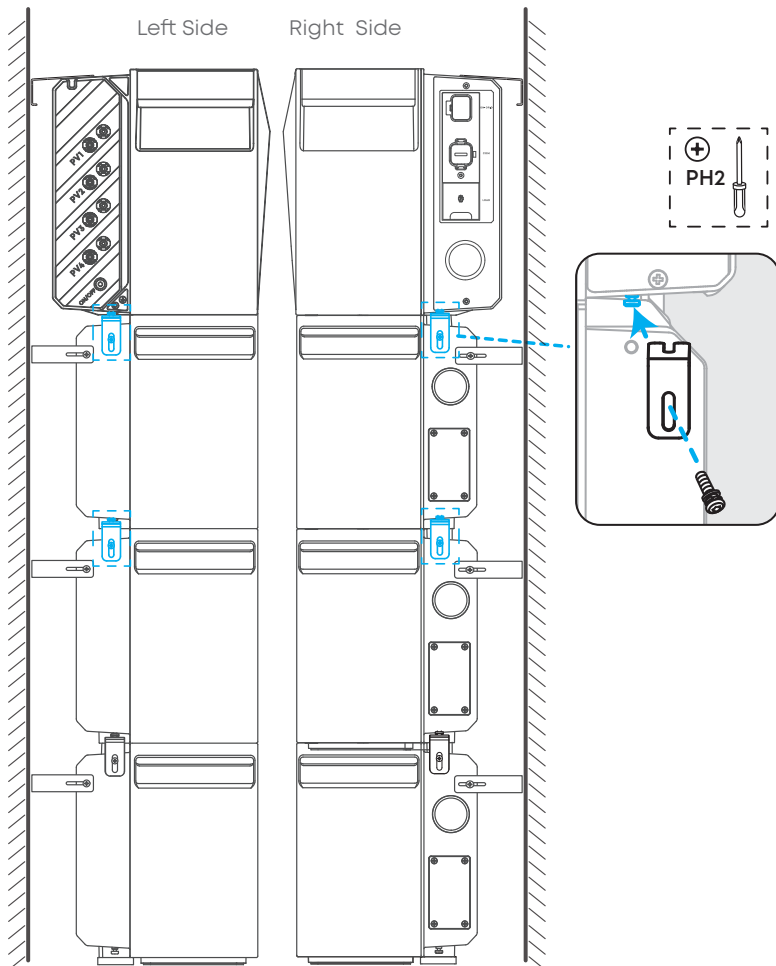


Step 3. Reassemble the System

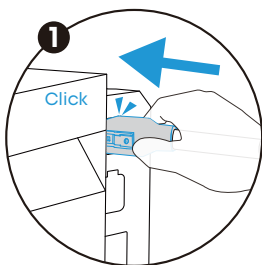
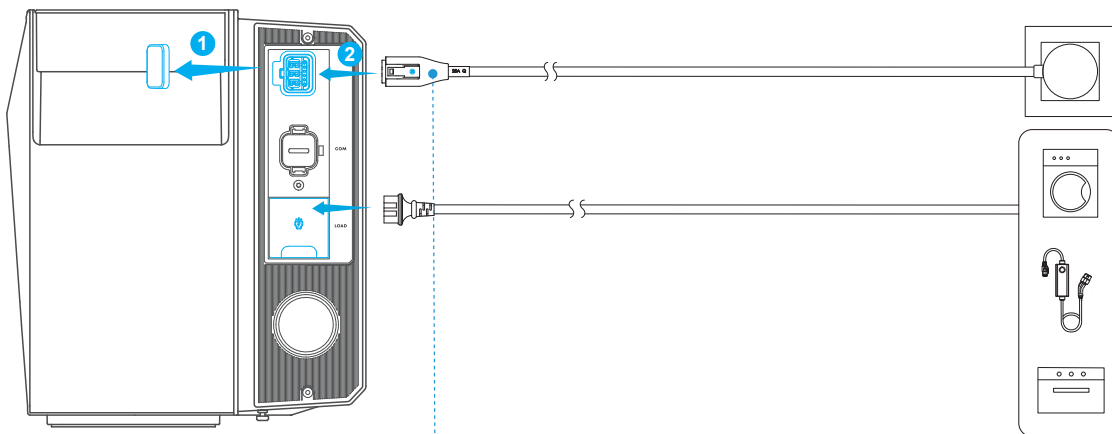
1. Stack the Solarbank on the top.
2. Reinstall the wall mount fittings on both sides of Solarbank (if applicable).



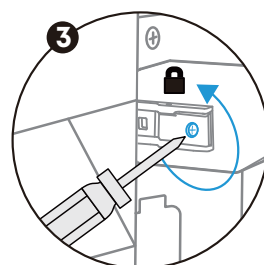
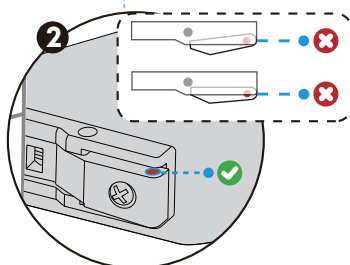
3. Snap the fixed brackets in place and tighten them to the expansion batteries.



4. Plug Solarbank back into the home outlet and reconnect your device.

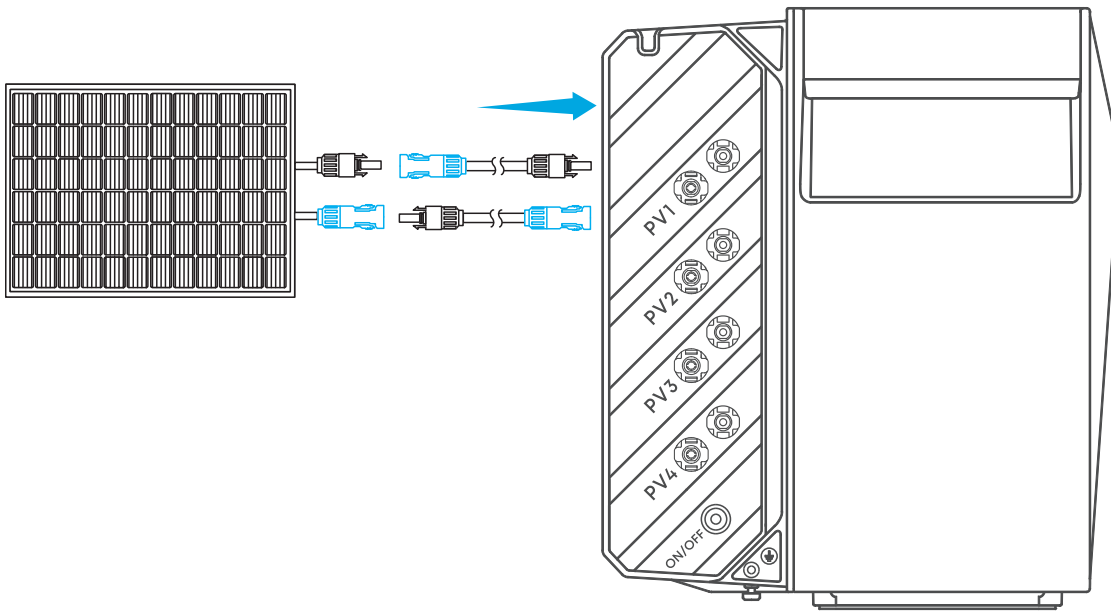


Fully insert the AC connector until a complete red circle is visible.

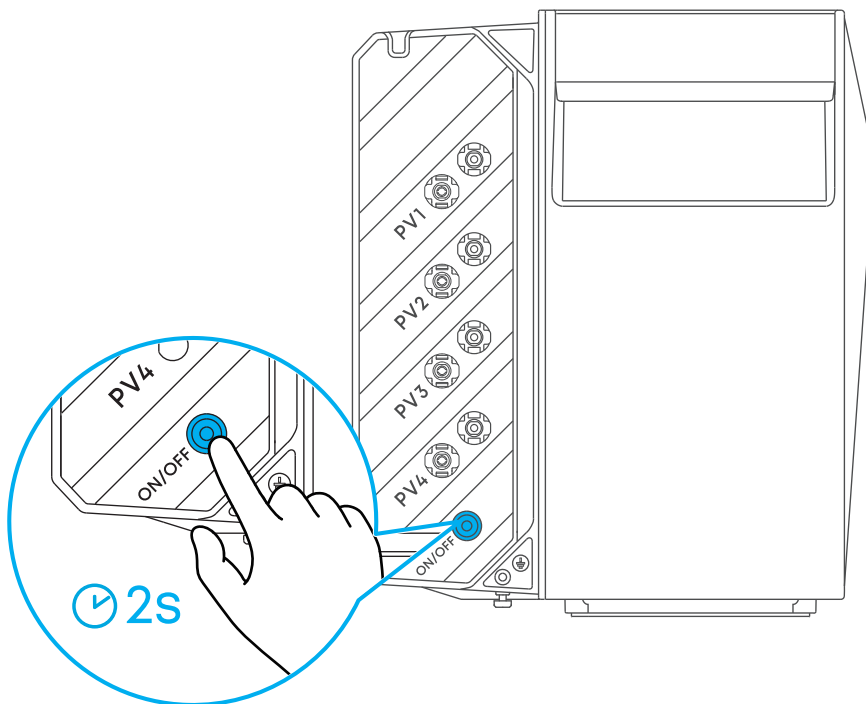


Loosen the screw until the latch cannot be pressed.

5. Reconnect Solarbank and PV modules.



6. If there is solar input, Solarbank will power on automatically. To manually turn it on, press the power button for 2 seconds.



Specifications

Specifications are subject to change without notice.

Anker SOLIX BP5000 Expansion Battery

PV Terminal	
Battery Type	LiFePO ₄ / LFP
Battery Nominal Voltage	16 VDC
Max Charge Current	180 ADC
Max Discharge Current	180 ADC
Rated Power (Single Device)	2,500 W
Rated Energy	5,024 Wh
Rated Capacity	314Ah
General Parameters	
Dimensions (L×H×D)	460×254×332.5mm
Weight	42 kg
Warranty	10 Years
Product Lifespan	15 Years
Protective Class	Class I
Ingress Protection	IP66
Operating Temperature Range	-20 to 55 °C
Max Altitude	4,000 m